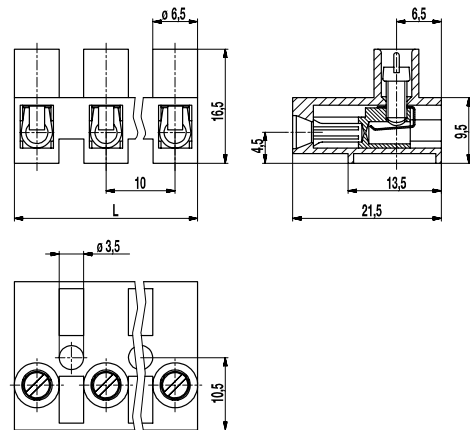


321-B(-DS)

Plug-in terminal strip
Screw connection & socket



GENERAL INFORMATION

Pitch	10 mm
No. of poles	2 - 12
Usable with	321-S(-DS)
Areas of application	Applications that require to easily open and close not energised circuits.

TECHNICAL DATA

Clamping Range	<i>solid / stranded / AWG</i>		
<i>without wire protector</i>	0,75 - 6 mm ² / 0,75 - 4 mm ² / 18 - 12 AWG		
<i>with wire protector</i>	0,5 - 4 mm ² / 0,5 - 2,5 mm ² / 20 - 12 AWG		
Rated Cross Section	2,5 mm ²		
Wire Stripping Length	6 mm ± 0,5 mm		
Overvoltage Category	III	III	II
Pollution Severity Level	3	2	2
Rated Voltage	320 V	320 V	630 V
Rated Impulse Voltage	4 kV	4 kV	4 kV
Rated Insulation Voltage	450 V acc. to EN 60998-1 [1]		
Rated Current	16 A		
Torque	0,5 Nm		
Other specifications	Rated values apply to use in combination with 321-S(-DS) and insulated substrates.		

APPROVALS

	Current [A]	Voltage [V]	Group	AWG	[Nm]
	20	300	B	18 - 12	0,51
	15	300	B	26 - 10	0,51 [2]
	10	300	D,E	26 - 10	0,51 [2]

CONFIGURATIONS

Version	Poles	Item	Article number	Item	Article number	Length (L)	PU
Standard	2	321-B/02	12.821.006	321-B-DS/02	32.821.006	18,00 mm	1000
Standard	3	321-B/03	13.821.006	321-B-DS/03	33.821.006	28,00 mm	1000
Standard	4	321-B/04	14.821.006	321-B-DS/04	34.821.006	38,00 mm	500
Standard	5	321-B/05	15.821.006	321-B-DS/05	35.821.006	48,00 mm	500
Standard	6	321-B/06	16.821.006	321-B-DS/06	36.821.006	58,00 mm	100
Standard	7	321-B/07	17.821.006	321-B-DS/07	37.821.006	68,00 mm	100
Standard	8	321-B/08	18.821.006	321-B-DS/08	38.821.006	78,00 mm	80
Standard	9	321-B/09	19.821.006	321-B-DS/09	39.821.006	88,00 mm	80
Standard	10	321-B/10	20.821.006	321-B-DS/10	40.821.006	98,00 mm	50
Standard	11	321-B/11	21.821.006	321-B-DS/11	41.821.006	108,00 mm	50
Standard	12	321-B/12	22.821.006	321-B-DS/12	42.821.006	117,00 mm	50

MATERIAL

Moulding	PA, natural, V-2
Comparative Tracking Index	CTI ≥ 600
Insulating Group	I
Temperature Range	-40°C up to 100°C
Terminal body	Nickel plated brass
Screw	M3; zinc plated steel, blue passivated
Wire protector	Tin plated tin bronze

OPTIONS / ACCESSORIES

- Marking options on the screw guides

[1] with insulating base
[2] for 321-B-DS: 26 - 12 AWG

